

4E1+4Ethernet 1+1 FIBER OPTICAL MULTIPLEXER

Model name: BD-OP-4E1-4ETH-DFI



Overview

The 4E1 fiber optical multiplexer can multiplex to 4 E1 signals for transmission over an optical fiber, resulting in reaching a longer distance without a repeaters and superior performance compared to copper media.

The 4E1 fiber optical multiplexer is the 4E1 point-to-point optical transport equipment that uses the FPGA chips and it is easy to upgrade. It is single board structure and the largest transmission capacity is 4E1. The outer design use the standard 19 inches rack, so the volume is little, weight is light and operation is convenient and credit.

The 4E1 fiber multiplexer support double optical port, which make the fiber link redundant.

Features

- ✧ Offer 4*E1 digital interfaces
- ✧ Offer four 10/100M Ethernet channel on fiber
- ✧ The supervisory control interface implements centralized monitoring and export the monitor and control information of this port and opposite port.
- ✧ One order wire for hotline contact
- ✧ 90-260VAC or -48VDC power or double power(AC+DC)
- ✧ Standard 19/9.5 inches rack, little volume, light weight, convenient installation
- ✧ Digital clock recovery circuit and digital smooth DPLL adopted for 2.048Mb/s port
- ✧ Provide Audible and visual(LED indicators) alarms
- ✧ Has 1+1 fiber uplink protection for optional. When main fiber uplink fails, the backup fiber would work automatically
- ✧ Support ITU-T G.703 G.704 standard
- ✧ Low bit error rate (BER < 10^{-10})

E1 Interface

- Line Rate: 2.048Mbps±50ppm
- Line Code : HDB3
- Interface Standard: ITU-T G.703
- E1 Impedance: 75Ω(unbalance) and 120Ω(balance)
- Connections : dual coax BNC and 120-ohm twisted-pair (RJ45)
- Jitter tolerance : finer than G.742 and G.823

10/100Base-T Interface

Rate: 10/100M, full/duplex auto-negotiation
 Protocol: Support IEEE 802.3,IEEE 802.1Q (VLAN)
 MAC Address Entries: 4096 Entries
 Total Memory Sizes: 64MBits SDRAM
 Physical interface: RJ45, support AUTO-MDIX

Optical interface

- Optical Interface:Fully Complaint G.957
- Transmitter: Class 1 Laser Complaint with IEC 60825-1
- Optical wavelength: 850nm/1310nm for multi- mode optical interface, 1310nm/1550nm for single-mode optic interface
- Optical interface: SC/FC
- Receiving and dispatching module: >-6dBm
- Optical receiver receiving sensitivity <-36 (BER<10):
- Dynamic range receiving: >-30dB
- Transmitting range: Multi-mode 2 Km, single-mode 20Km,single-mode 40Km, single-mode

Power supply

working voltage range wide, good
 anti-disturb and Isolation, work stable
 option I – DC-48V,range DC-36V~DC-72C
 option II – AC220V,range AC165V~AC240V
 Power Consumption: ≤3 Watts

Dimension 19inch rackmoun

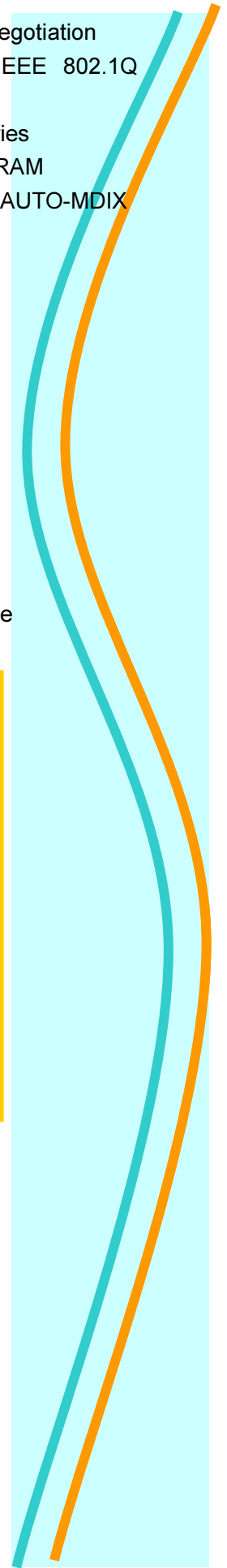
- ◇ 433mm(L)
- ◇ 138mm(W)
- ◇ 44mm(H)

environment condition

Operating temperature: 0C~+50 C
 Storage temperature: -20 C~+70 C
 Relative temperature:95% (uncondensed)

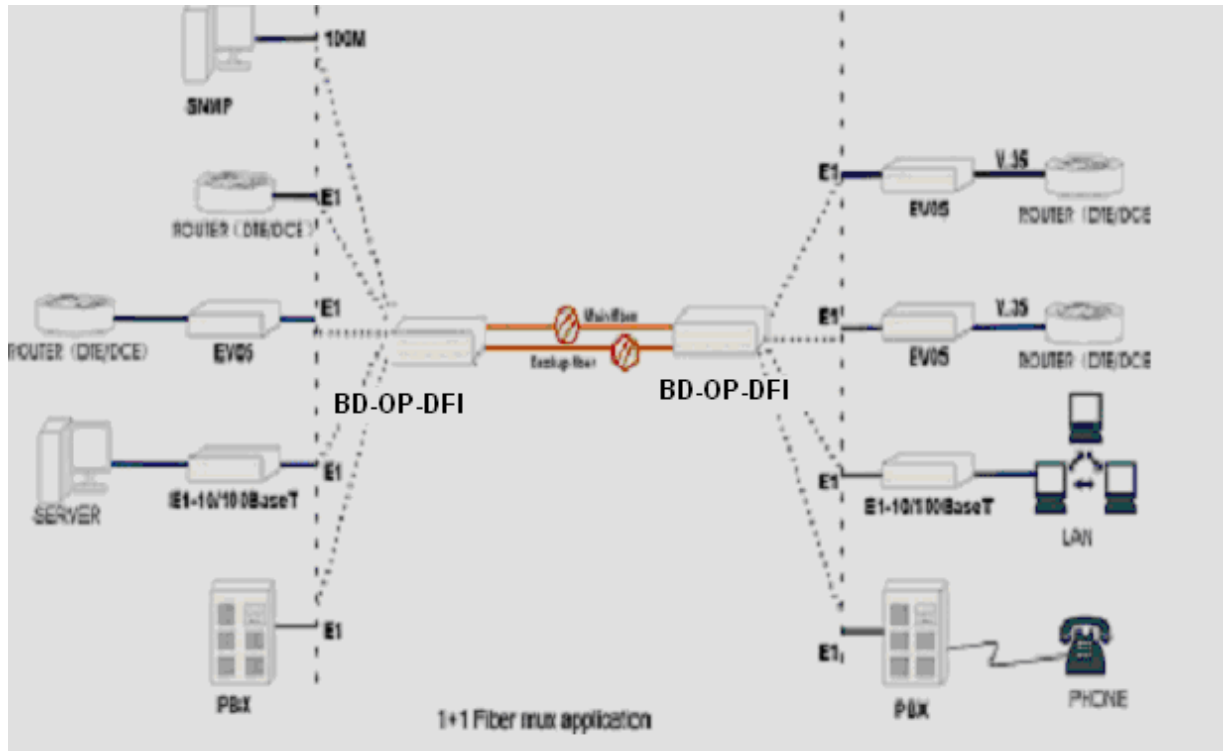
Ordering information:

BD-OP-4E1-4ETH-DFI/AC	4E1 fiber multiplexer,E1 75 Ω or 120 Ω, one order wire,1+1 fiber port,SC,20km,dual fiber, power AC220V
BD-OP-4E1-4ETH-DFI/DC	4E1 fiber multiplexer,E1 75 Ω or 120 Ω, one order wire,1+1 fiber port,SC,20km,dual fiber, DC48V
BD-OP-4E1-4ETH-DFI/AC+DC	4E1 fiber multiplexer,E1 75 Ω or 120 Ω, one order wire,1+1 fiber port,SC,20km,dual fiber,,AC220V+DC48V

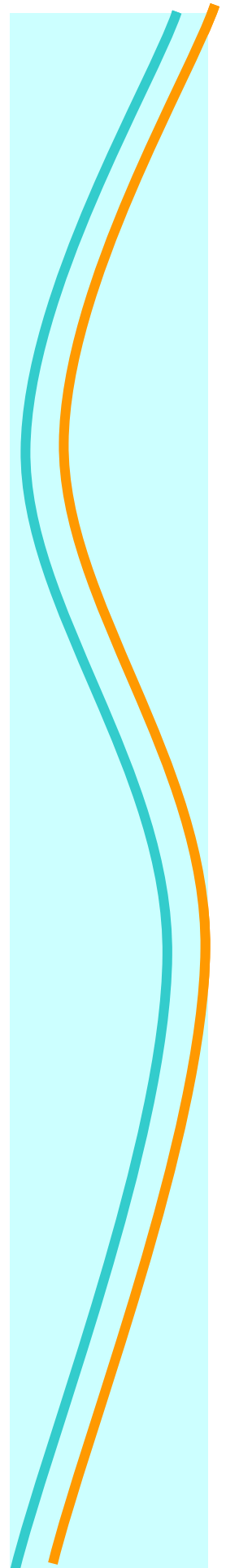
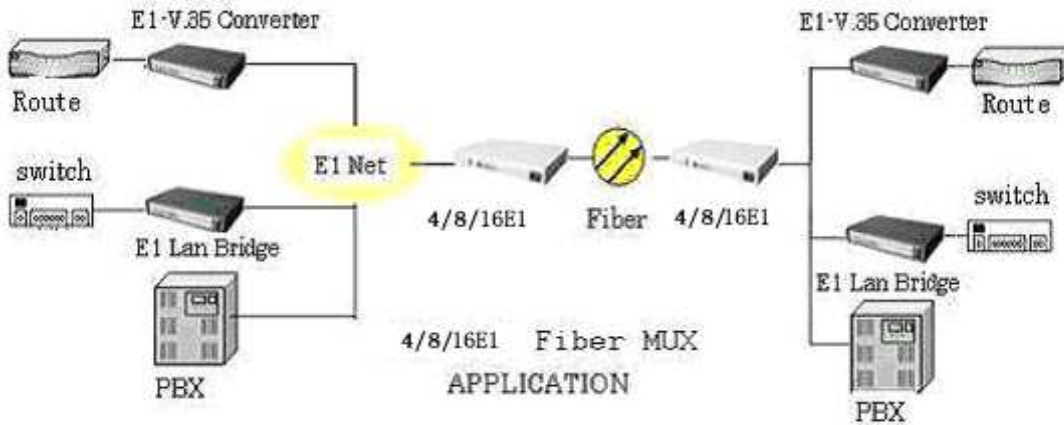


Application

1+1 fiber uplink for redundant application

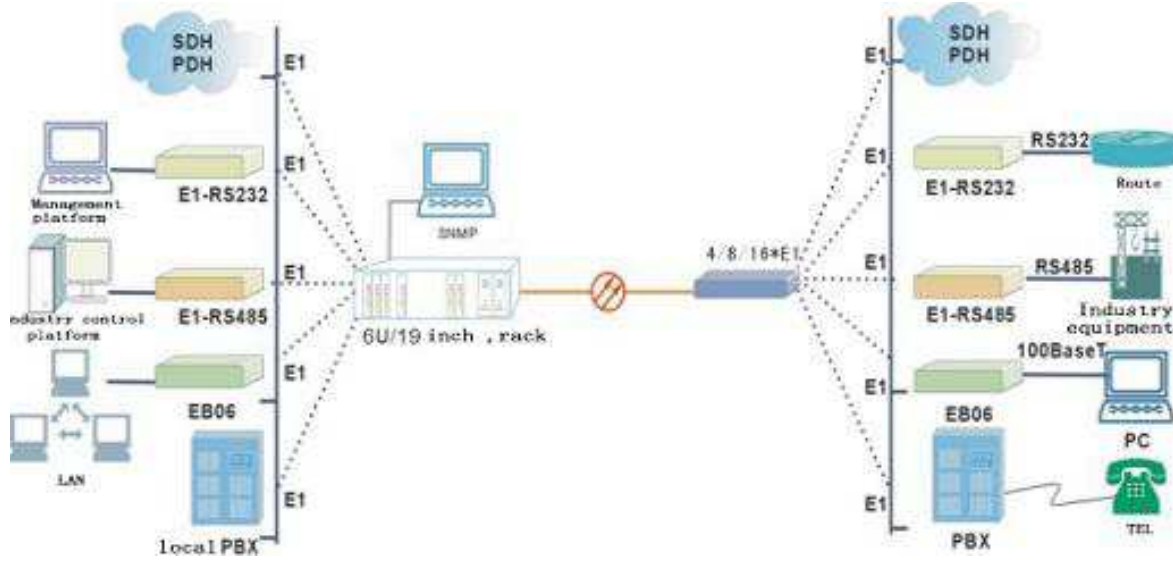


Point to point





SNMP management in chassis installation



Azmoon Keyfiat Co. Head Office:

3F, No.3, 19th Alley Gandhi. Ave 15178 Tehran-IRAN

Tel: +98-21-84218

Fax: +98-21-88676919

Email: azmoon@teta.net

Http: // www.azmoon-co.com

